

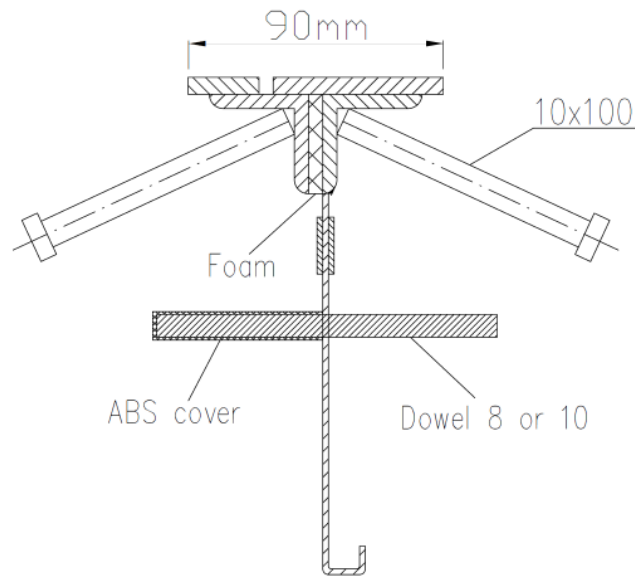


Conecto Sinus 06NE90 heavy-duty expansion joint profile is an essential solution for protecting and reinforcing joints in highly stressed concrete floors. This solution helps to clean top opening easier and faster. Additionally, it serves as permanent formwork for concrete floor, offering robust edge protection and effective load transfer through integrated dowel plates. Ideal for demanding applications, this profile guarantees durability and seamless performance.

Places of application

- **Industrail floors**
- **Logistic and distribution centers**
- **Industrail buildings**
- **Industrial storage facilities**

TECHNICAL DATA SHEET



Floor height [mm]	Profile height [mm]	Dowel size [mm]	Dowel spacing [mm]	kg/m
125	100	180x120x8	600	12,6
150	125			13
175	155			13,4
200	175			13,8
225	200			14,2
250	225			14,6
275	250			15
300	275			15,4

- possibility to prepare profiles in any height (every 5mm)
- standard lenght 3 meters

