

Expansion strips are mounted in concrete floor plates to compensate movements in plate sections. Concrete plates are exposed to internal and external pressures. Damage occurs mainly at the edges of plates near to connections. Connection of floor plates should compensate their mutual horizontal movements (perpendicular and parallel to the expansion joint) which are usually caused by thermal expansion and shrinkage of concrete. At the same time the connection must also block vertical movements and mutual curving of floor elements which is a consequence of traffic, heavy loads and uneven passive earth pressure.

**Dowel Movements:**

- dowel size 180x120x8mm  $\pm 15$ mm parallel and  $\pm 20$ mm perpendicular
- dowel size 180x140x10mm  $\pm 20$ mm parallel and  $\pm 30$ mm perpendicular

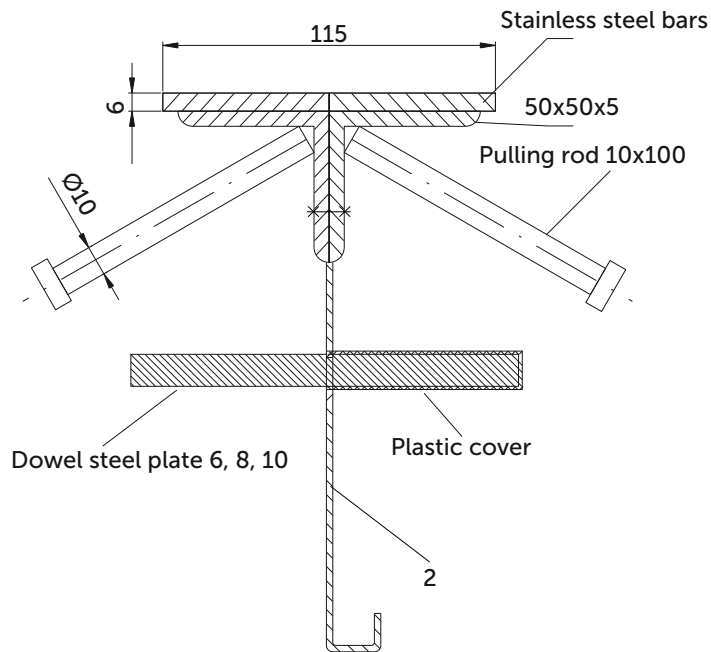
Conecto Sinus expansion joints ensure an even distribution of the loads between floor plates by preventing excessive local tensions. Expansion joints help to eliminate the main reason behind uncontrolled floor cracking, they make the floor last longer and improve use comfort.

The number of expansion joints should allow to divide the floor into regular fields, with a shape similar to a square of up to 1000m<sup>2</sup>, which constitutes a daily flooring efficiency. Joints should be spaced at a distance not greater than 45x45m.

The system is complete, easy to install and ready for application, all you should do is place the profiles at the installation site and join them without wrenches, using screws with wing nuts provided in the package.

Conecto Sinus joints guarantee proper resistance in case of permanent high traffic loads.





Floor height [mm]	Profile height [mm]	Dowel size [mm]	Dowel spacing [mm]	kg/m
150	125	180x120x8	600	17.55
175	155			18.00
200	175			18.40
225	200			18.80
250	225			19.20
275	250			19.60
300	275			20.00

- possibility to prepare profiles in any height (every 5)
- standard length 3 meters

