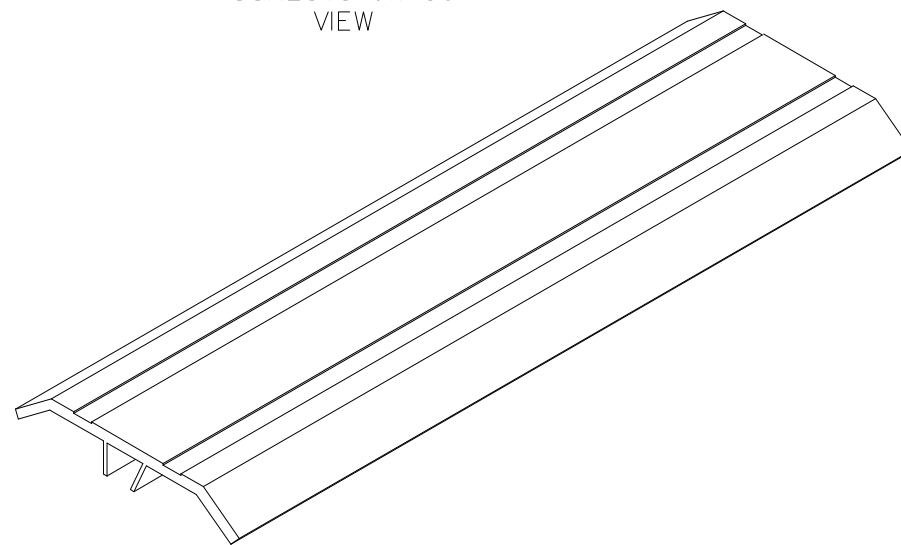


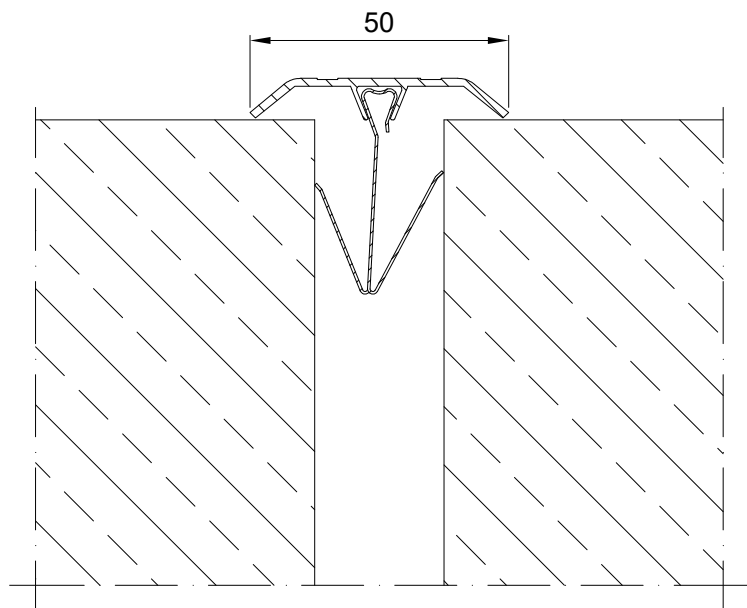
INFORMATION TABLE

| Profile type | Visible element [mm] | Joint width [mm] | Method of installation | Material type | Color |
|--------------|----------------------|------------------|------------------------|----------------|-------------|
| JW 50 | 50 | max 30 | cover | Aluminum / PVC | Anode / RAL |

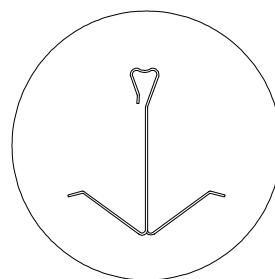
CONECTO JW 50
VIEW



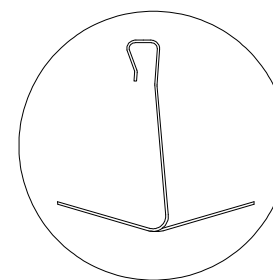
CONECTO JW 50
SECTION



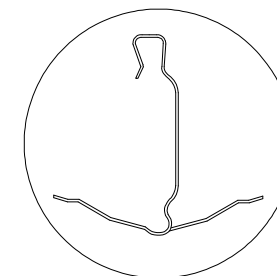
TYPES OF CLIPS:



width 15–35mm



width 35–80mm



width 70–120mm

Expansion joint Conecto
JW 50

Conecto Profiles Sp. z o.o.
ul. Przemysłowa 39
61-541 Poznań
www.conecto-profiles.com



ROZMIAR / SIZE
A3

SKALA / SCALE
1:1

Wszystkie wymiary podano w [mm]
All dimensions in [mm]

PROJEKT PROJECT

ZŁOŻENIE SUB ASSEMBLY

RYSUNEK DRAWING

01

ARKUSZ SHEET

1 Z 1

WER REV

1