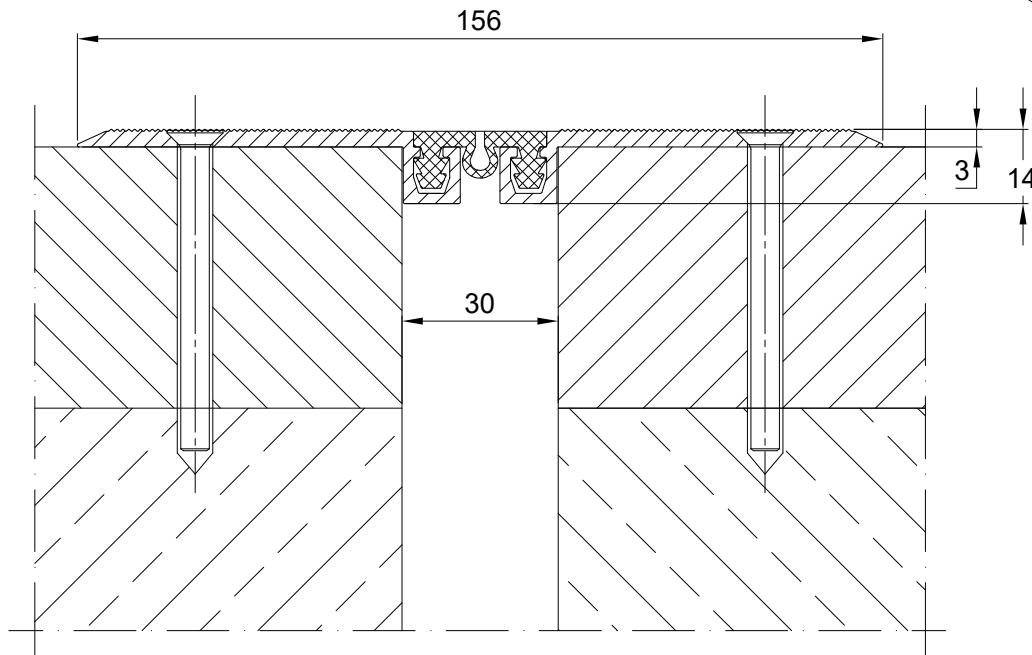


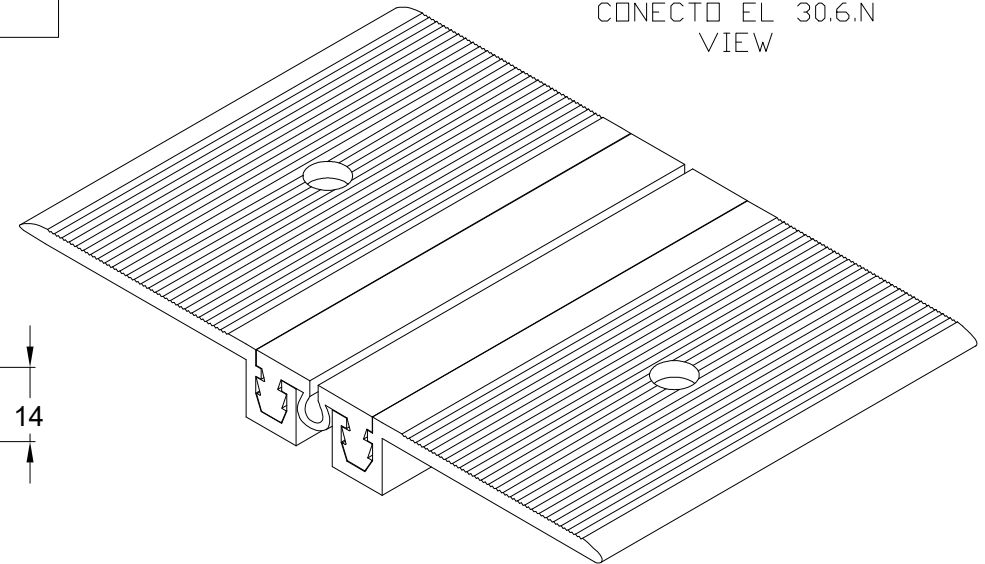
INFORMATION TABLE

Profile type	Visible element [mm]	Joint width [mm]	Base width [mm]	Installation height [mm]	Material type	Maximum load [kN]	Horizontal/Vertical compensation [mm]
EL 30.6.N	156	30	156	overlapping version	Aluminum, modified PVC	30	12(±6) 12(±6)

CONNECTO EL 30.6.N
SECTION



CONNECTO EL 30.6.N
VIEW



Expansion joint Conecto Elasto 30.6.N

Conecto Profiles Sp. z o.o.
ul. Przemysłowa 39
61-541 Poznań
www.conecto-profiles.com



ROZMIAR / SIZE
A3

SKALA / SCALE
1:1

Wszystkie wymiary podano w [mm]
All dimensions in [mm]

PROJEKT

PROJECT

ZŁOŻENIE

SUB ASSEMBLY

RYSUNEK

DRAWING

ARKUSZ
SHEET

VER
REV

--

--

01

1 Z
OF 1