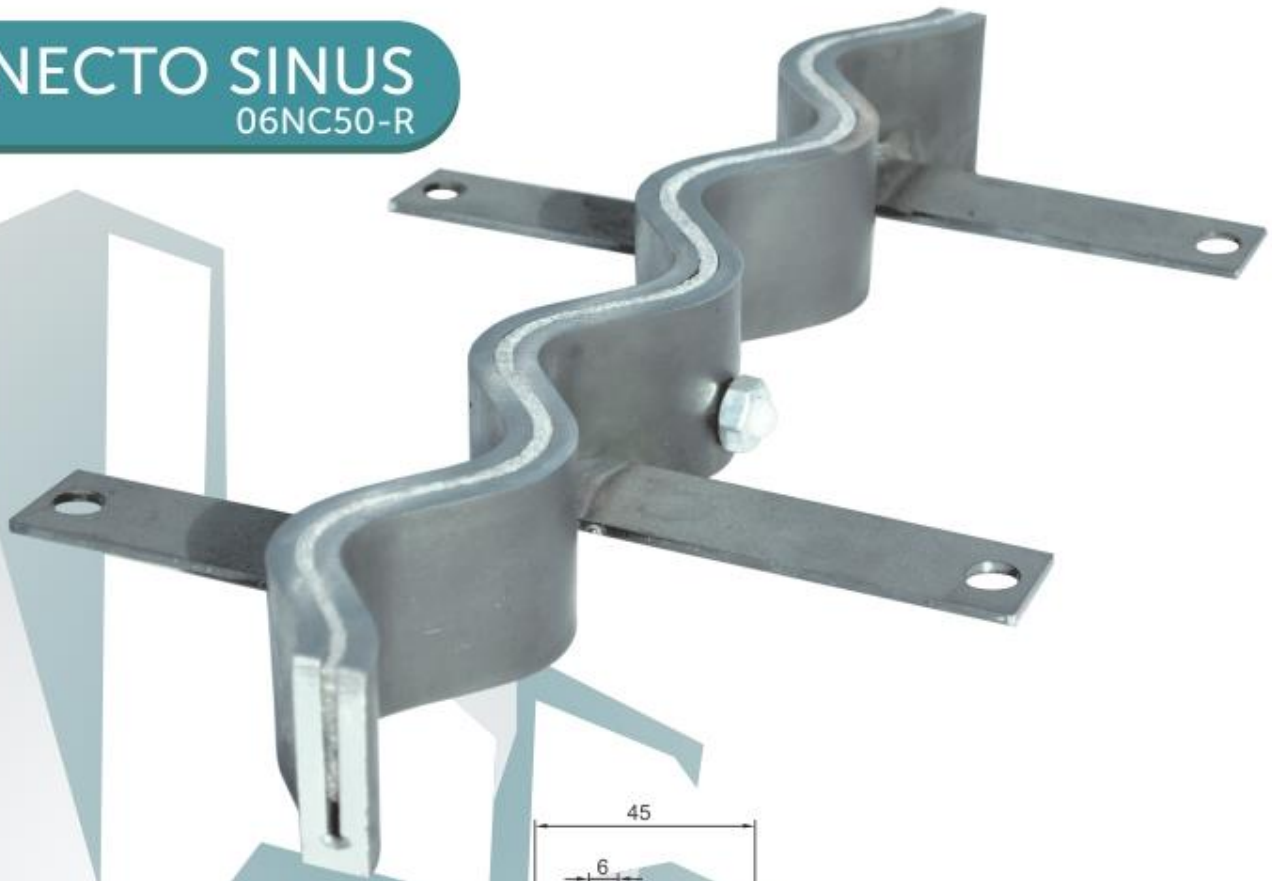


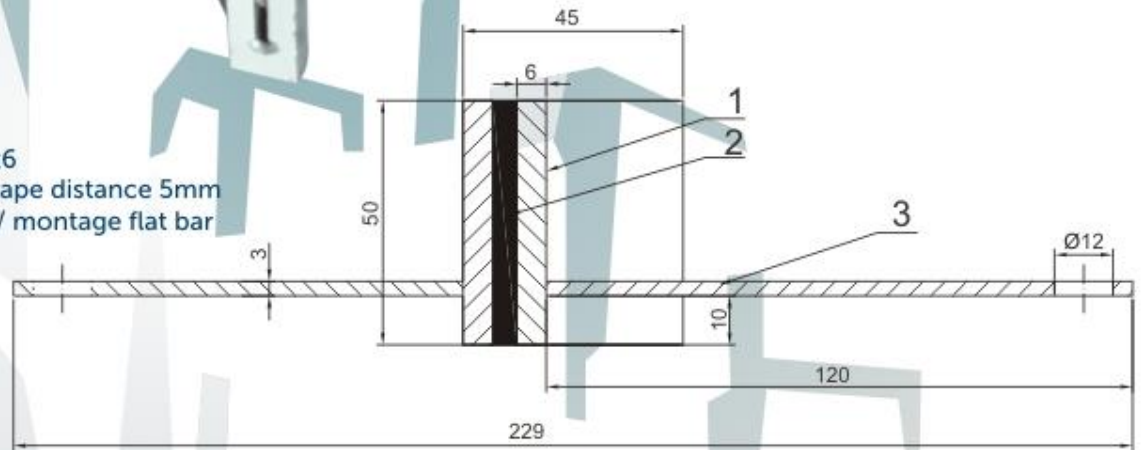


CONECTO SINUS

06NC50-R



- 1. Flat bar 50x6
- 2. Neoprene tape distance 5mm
- 3. Anchoring / montage flat bar



Conecto Sinus are reparation profiles designed for cracking floors. Sinusoid construction provides two-level movement which prevent deeper cracking of the floors. Properly installed Conecto Sinus profiles eliminate resultant damages and prevent in case of further damages. Properly secured with Conecto Sinus profiles floor will not cause vehicles damages and ward off deep cracks which could prevent further usage of floor.

