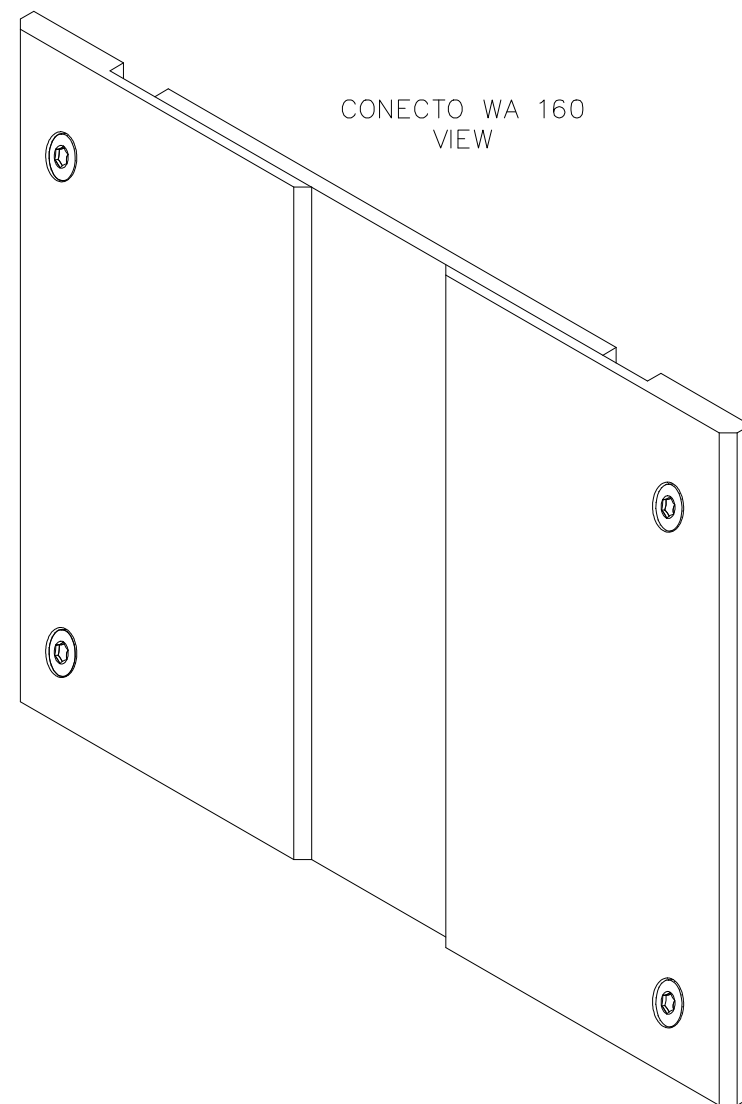
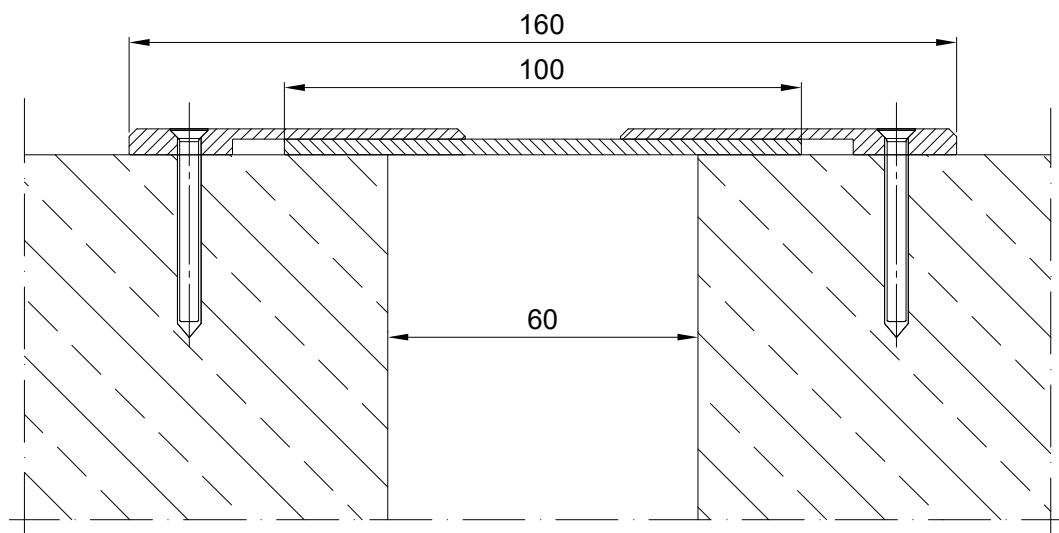


INFORMATION TABLE

Profile type	Visible element [mm]	Joint width [mm]	Method of installation	Installation height [mm]	Material type	Color	Horizontal compensation [mm]
WA 160	160	max 60	overlapping version	5	Aluminum, composite	RAL	±20

CONECTO WA 160 SECTION



CONECTO WA 160 VIEW

Conecto WA 160

Conecto Profiles Sp. z o.o.  
ul. Przemysłowa 39  
61-541 Poznań  
[www.conecto-profiles.com](http://www.conecto-profiles.com)



ROZMIAR / SIZE  
A3

SKALA / SCALE  
1:1

Wszystkie wymiary podano w [ mm ]  
All dimensions in [ mm ]

PROJEKT PROJECT

--

ZŁOŻENIE SUB ASSEMBLY

--

RYSUNEK DRAWING

01

ARKUSZ SHEET

1 Z OF 1

WER REV