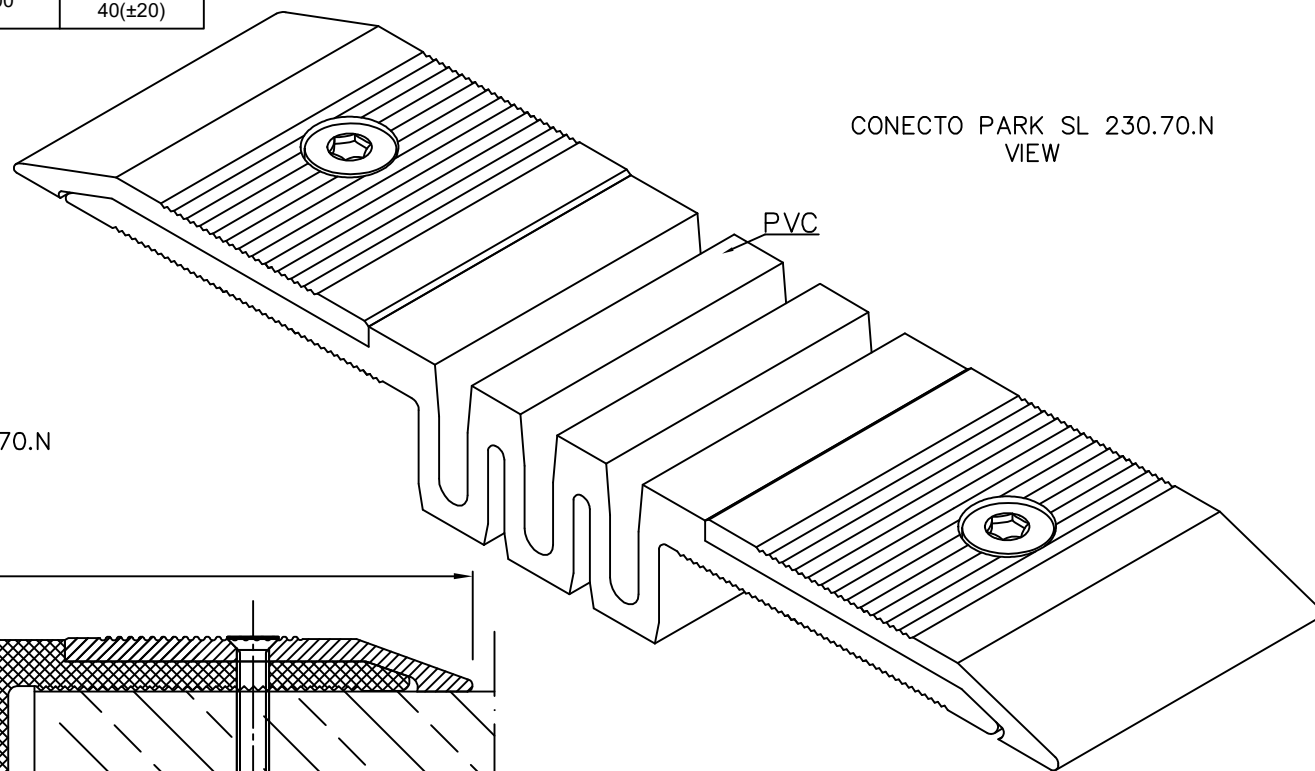
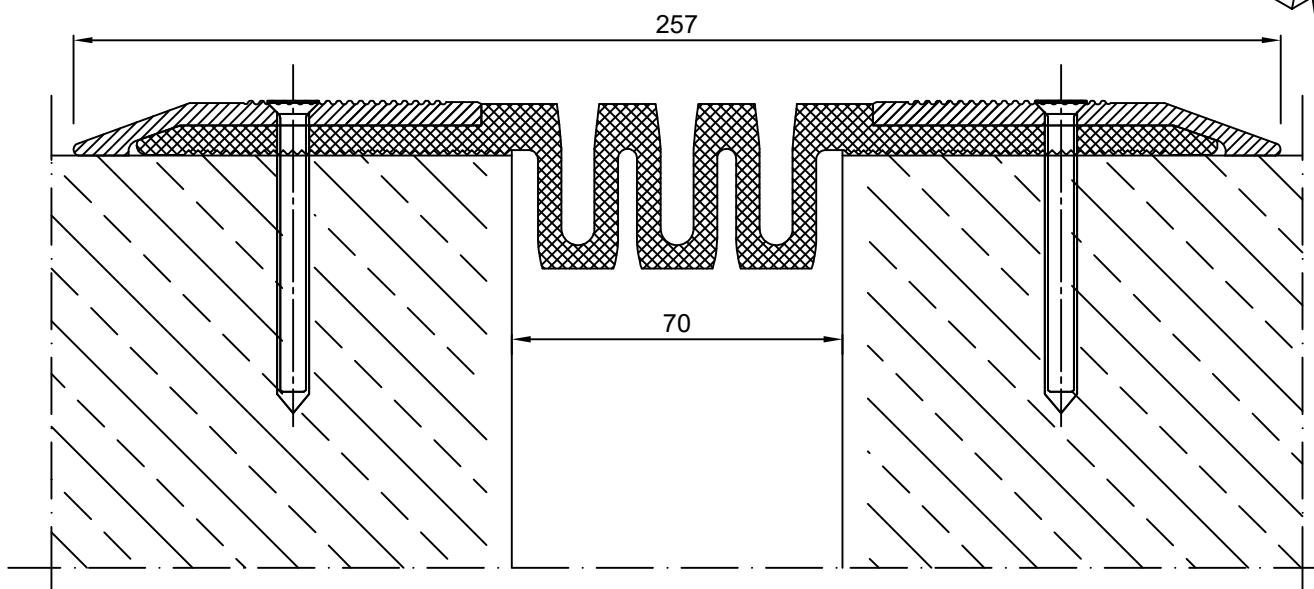


INFORMATION TABLE

Profile type	Visible element [mm]	Joint width [mm]	Method of installation	Installation height [mm]	Material type	Maximum load [KN]	Horizontal/Vertical compensation [mm]
SL 230.70.N	257	70	overlapping version	10	Aluminum, PVC	600	90(±45) 40(±20)



CONECTO PARK SL 230.70.N SECTION



Expansion joint Conecto Park SL 230.70.N

Conecto Profiles Sp. z o.o.
ul. Przemysłowa 39
61-541 Poznań
www.conecto-profiles.com



PROJEKT / PROJECT	ZŁOŻENIE / SUB ASSEMBLY	RYSUJEK / DRAWING	ARKUSZ / SHEET	VER / REV
--	--	01	1 Z 1 DF	

ROZMIAR / SIZE: A3
SKALA / SCALE: 1:1
Wszystkie wymiary podano w [mm]
All dimensions in [mm]