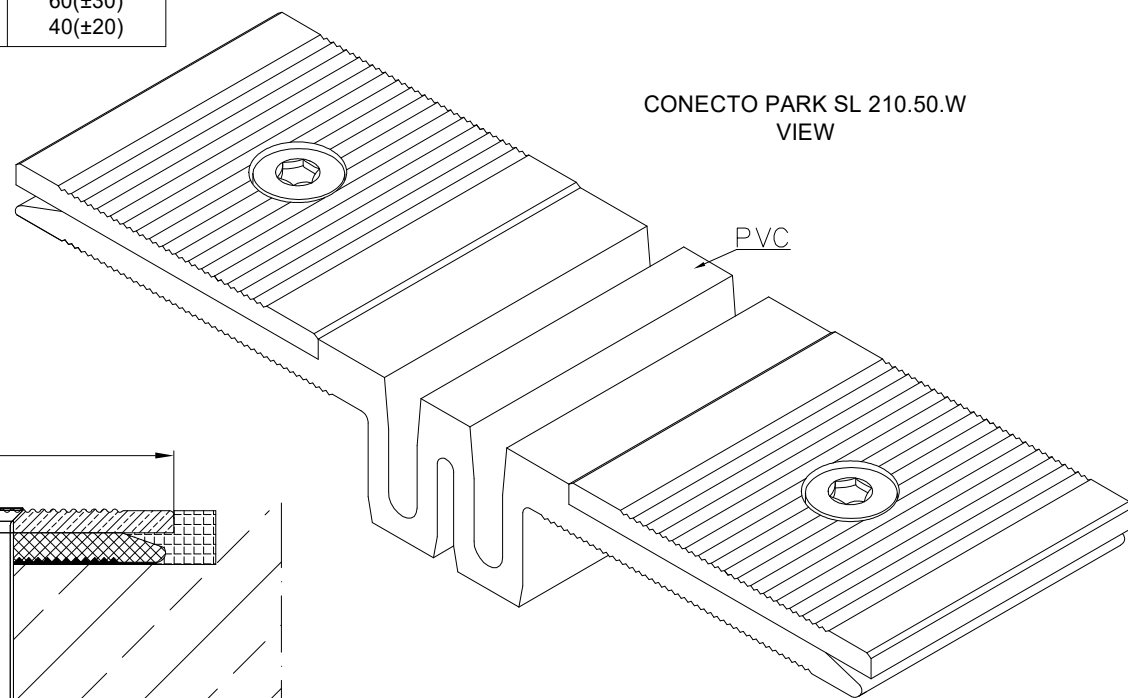


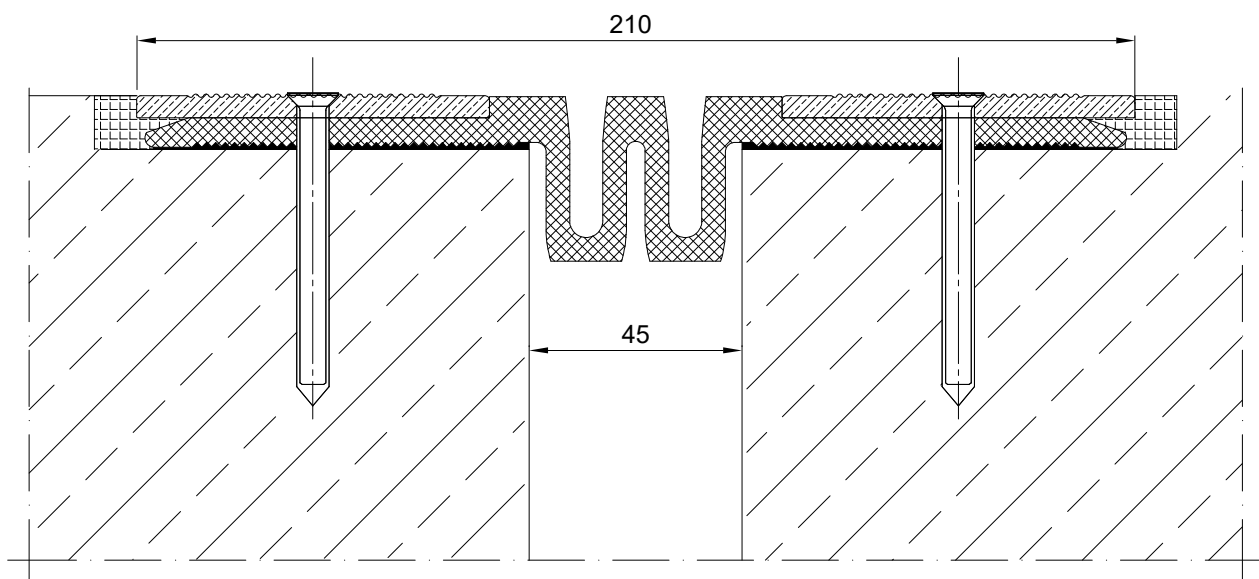
INFORMATION TABLE

Profile type	Visible element [mm]	Joint width [mm]	Method of installation	Installation height [mm]	Material type	Maximum load [KN]	Horizontal/Vertical compensation [mm]
SL210.50.W	210	45	groove installation	groove 10	Aluminum, PVC	600	60(±30) 40(±20)



CONECTO PARK SL 210.50.W
VIEW

CONECTO PARK SL 210.50.W
SECTION



Expansion joint Conecto
Park SL 210.50.W

Conecto Profiles Sp. z o.o.
ul. Przemysłowa 39
61-541 Poznań
www.conecto-profiles.com



ROZMIAR / SIZE
A3

SKALA / SCALE
1:1

Wszystkie wymiary podano w [mm]
All dimensions in [mm]

PROJEKT	PROJECT	ZŁOŻENIE	SUB ASSEMBLY	RYSunEK	DRAWING	ARKUSZ	SHEET	WER	REV
--		--			01	1	Z DF	1	